

KEY CONCEPT OVERVIEW

In Lessons 13 through 20, students learn to multiply a fraction by a fraction. They also learn to multiply a decimal by a decimal by using models. Students use rectangular fraction models, tape diagrams, and standard algorithms to help show their thinking.

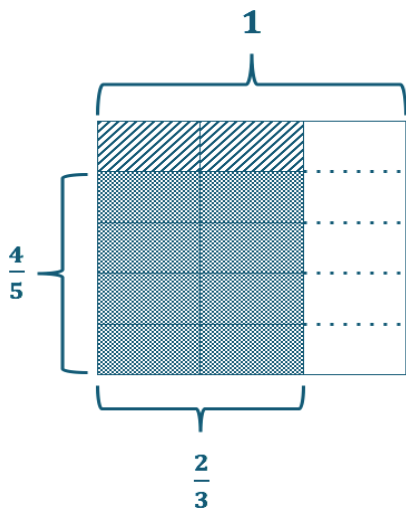
You can expect to see homework that asks your child to do the following:

- Solve fraction multiplication problems, and draw rectangular fraction models.
- Solve decimal multiplication problems.
- Solve measurement conversion problems.
- Solve multi-step word problems involving multiplication of a fraction by a fraction.

SAMPLE PROBLEM (From Lesson 15)

Solve. Draw a rectangular fraction model to explain your thinking. Then write a multiplication sentence.

$$\frac{4}{5} \text{ of } \frac{2}{3}$$



$$\frac{4}{5} \times \frac{2}{3} = \frac{8}{15}$$

Additional sample problems with detailed answer steps are found in the *Eureka Math Homework Helpers* books. Learn more at GreatMinds.org.

HOW YOU CAN HELP AT HOME

- Play the Decimals and Fractions card game with your child to review writing decimals as fractions.
 1. Take out the jacks, queens, kings, and jokers.
 2. Put the stack of remaining cards facedown.
 3. Have your child flip over one, two, or three cards to represent a decimal number, as described in the examples below. Write the decimal number, and ask her to write the equivalent fraction.

For example:

She can flip one card to represent tenths. If she flips the number 3, you write the decimal number 0.3. She then writes the fraction $\frac{3}{10}$.

She can flip two cards to represent hundredths. The numbers 2 and 5 represent the decimal number 0.25. The fraction is $\frac{25}{100}$.

She can flip three cards to represent thousandths. The numbers 1, 6, and 1 represent the decimal number 0.161. The fraction is $\frac{161}{1,000}$.